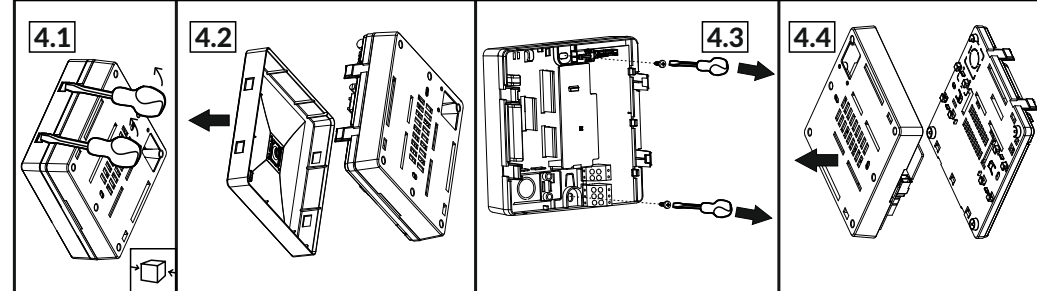
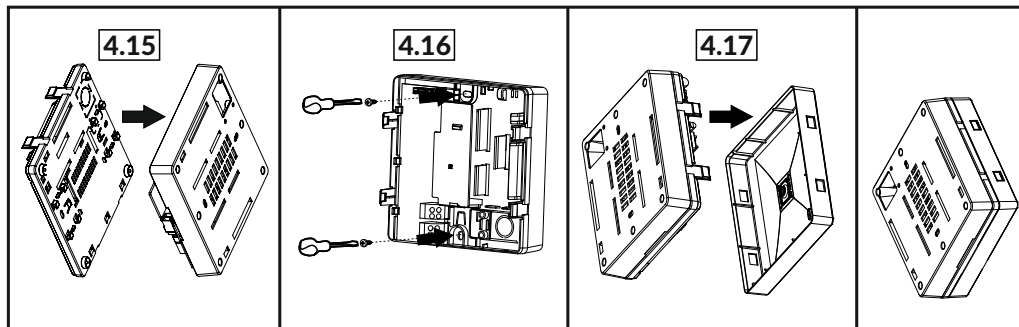
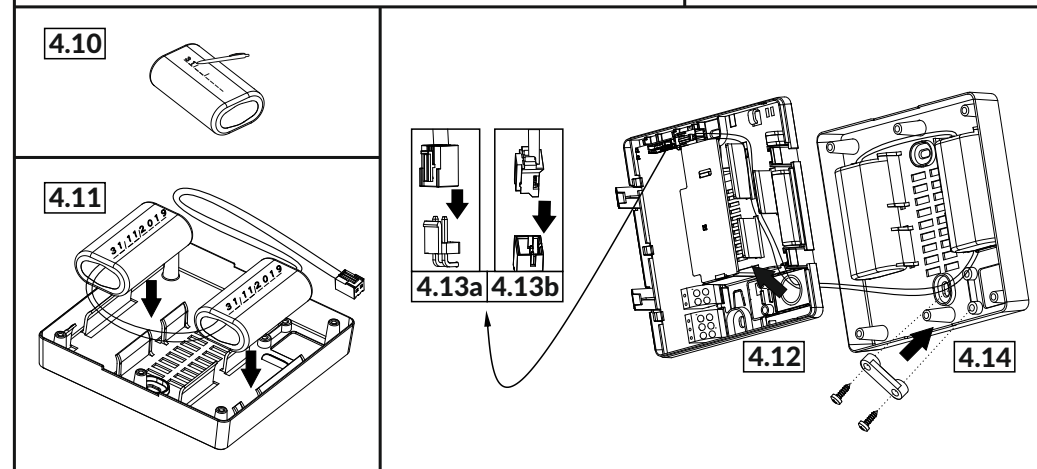
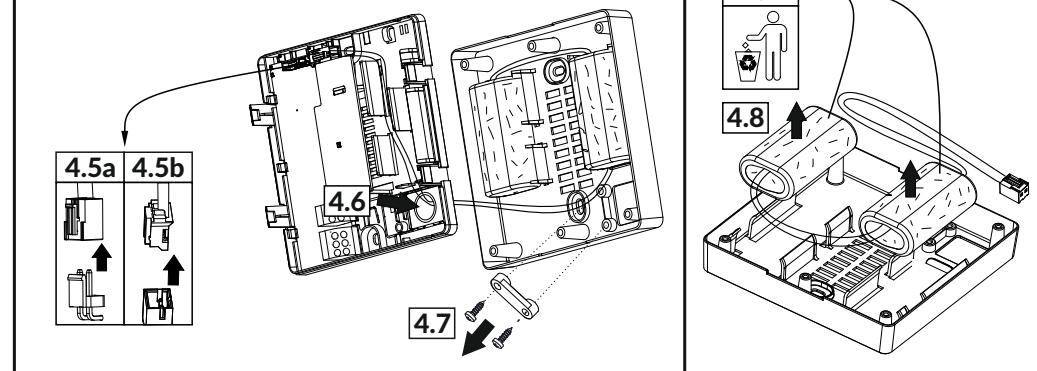


A2, B2
*ST / AT / DT / D2 / D2R / DA



LiFePO4/C 6.4V/3.0Ah



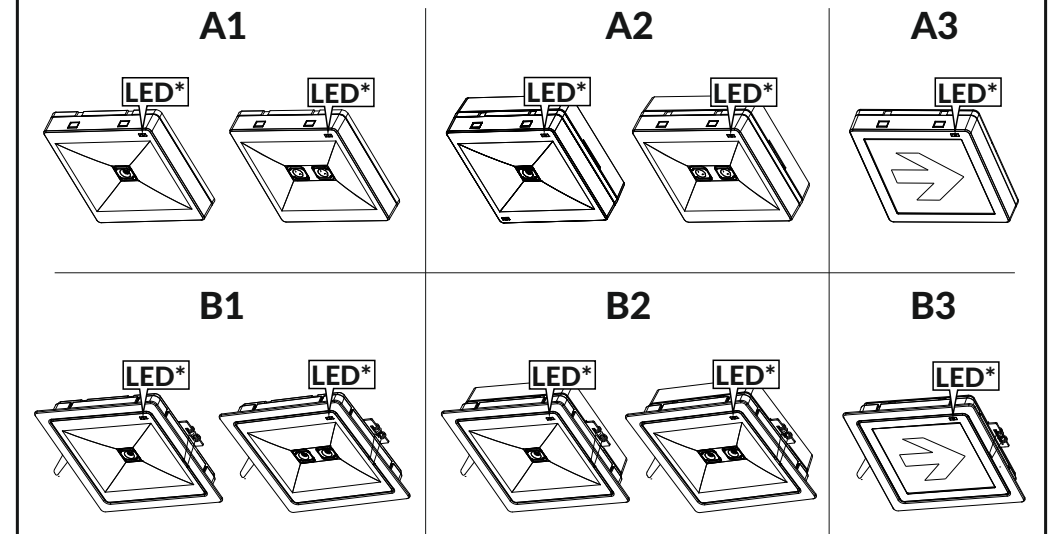
ONTEC R M2 / M5 / E1 t. 75°C	ONTEC R M1U t. 80°C	ONTEC R CBA t. 75°C
ONTEC R E1 (8 x LED) t. 75°C	! CBA = CB3	

I.OR.V1.11/22.09.2020

TM TECHNOLOGIE
emergency & evacuation lighting

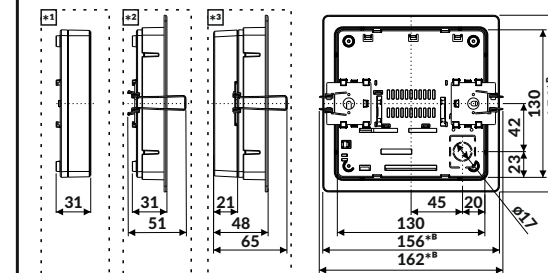
IP 20 LED 3h 850 °C 210 + 250 V AC
50 / 60 Hz 186 + 254 V DC

TM.ONTEC R



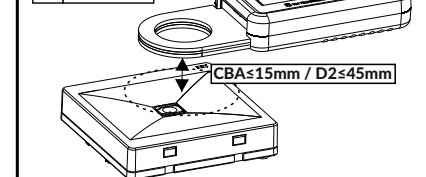
! ±1 [mm]

! **A1, A2, A3 **B1, B2, B3 *A1, A3 **B1, B3 **A2, B2



CBA / D2 / D2R / DA

! CBA = CB3



C (A3, B3)

